



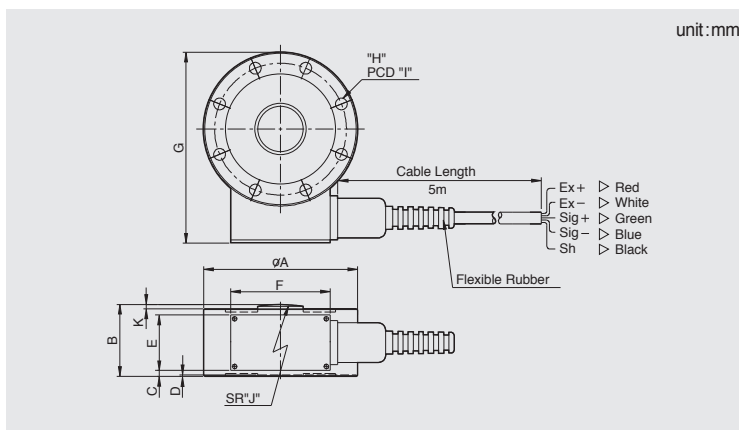
FEATURES

- High output (3mV/V)
- Hermetically sealed
- High reliability against side force
- Low profile design
- Compression application only

SPECIFICATIONS

Max. capacity	tf	2, 5, 10, 20, 50, 100
Rated output	mV/V	3.0 ± 0.0075
Zero balance	mV/V	0 ± 0.03
Combined error	%	0.05
Repeatability	%	0.02
Creep for 30 min.	%	0.03
Temperature effect on		
Zero Value	%/10°C	0.03
Output value	%/10°C	0.03
Excitation		
Recommended	V	10
Maximum	V	15
Resistance		
Input	Ω	350 ± 3.5
Output	Ω	350 ± 3.5
Insulation	MΩ	> 2,000
Compensated temperature range	°C	-10 to +40
Operating temperature range	°C	-50 to +80

DIMENSIONS



Material

Paint finished steel

Cable

Braided shield 4-wire round cable with P.V.C-jacket

Model	Capacity	øA	B	C	D	E	F	G	H	I	J	K
LSC-2	2tf	105	35	1	1	30	65	126.5	8 - ø7	90	100	3
LSC-5	5tf	105	35	1	1	30	65	126.5	8 - ø7	90	100	3
LSC-10	10tf	120	45	2	1	38	68	152	4 - ø9	90	150	3
LSC-20	20tf	120	45	2	1	38	68	152	4 - ø9	90	150	3
LSC-50	50tf	190.5	57.2	6.4	1	38	68	225	12 - ø13.5	159	200	6.4
LSC-100	100tf	209.5	82.6	19.1	1	38	68	245	4 - ø18	171.5	200	6.4