

FEATURES

- All stainless steel construction
- OIML C3 approved
- Ex ia IIC T6 approved
- Protection class IP67

OPTIONS

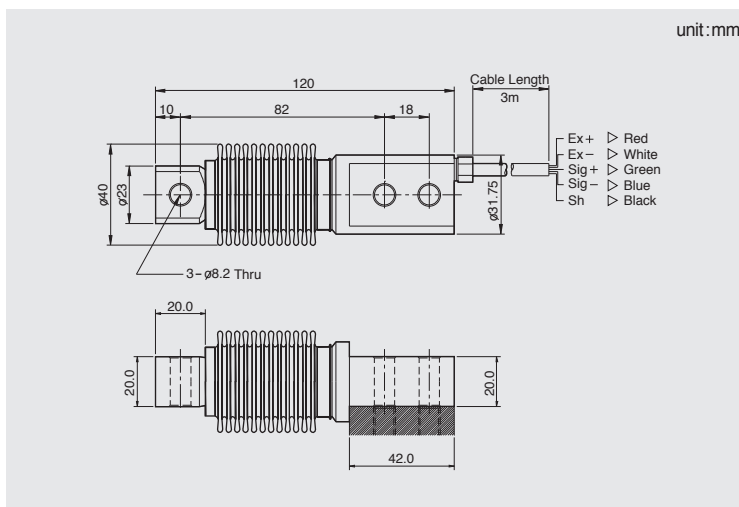
- OIML C3 approved



SPECIFICATIONS

Max. capacity	kgf	20, 50, 100, 200, 500	
Rated output	mV/V	2.0 ± 0.005	
Zero balance	mV/V	0 ± 0.02	
Accuracy class		D3	C3
Combined error	%	0.03	0.02
Repeatability	%	0.01	0.01
Creep for 30 min.	%	0.03	0.017
Temperature effect on			
Zero Value	%/10°C	0.028	0.014
Output value	%/10°C	0.015	0.011
Excitation			
Recommended	V	10	
Maximum	V	15	
Resistance			
Input	Ω	400 ± 20	
Output	Ω	350 ± 3.5	
Insulation	MΩ	> 2,000	
Compensated temperature range	°C	- 10 to +40	
Operating temperature range	°C	-30 to +80	

DIMENSIONS



Material

Stainless Steel

Mounting

Socket-head cap screw M8 × 1.25(10.9)

Tightening torque: 29Nm

Cable

Braided Shield 4-wire round cable with Urethane-Jacket

Ordering Information

HBS - XXXL

Capacity in kg