

INDUSTRIAL WEIGHING SOLUTION™



Tilt up-down angle, 90°



Turn left-right angle, 360°



Waterproof

BW SERIES

Bench Scale

- Protection level up to IP65 standards
- Tilt(90°) and swivel(360°) head
- Large LCD display (23.5mm)
- Wall mount kit optional



CAS

BW SERIES | Bench Scale

SPECIFICATIONS

Model	BW-SERIES				
Max.capacity(kg)	6	15	30	60	150
Readability(g)	2	5	10	20	50
Display	5 digit LCD (23.5mm)				
Display designator	On/Off, zero/mode, tare, net/gross, hold(or kg/lb)				
Power source	DC 12V 850mA AC adaptor DC 9 V(1.5VX6EA Size "AA") dry battery DC 7.2 V(1.2VX6EA Size "AA")				
Battery life	R/C Battery : Approx. 100hrs Alkaline dry battery : 300hrs				
Operating time	2 ~ 4 hrs				
Operating temperature	-10°C ~ +40°C				
Platter size(mm)	280(W)X280(D)		400(W)X520(D)		
Dimensions(mm)	280(W)X350(D)X530(H)		425(W)X675(D)X755(H)		
Product weight(kg)	5.3		17.4		

FEATURES

- Battery operation (alkaline or optional rechargeable battery)
- Low battery indication
- Counting function
- Check weight function (LOW/OK/HIGH)
- On/Off, zero/mode, tare, net/gross, hold (or kg/lb)
- Easy-to-Read, 23.5mm(15/16 in.), 5 digit LCD display
- Single pass automatic span calibration
- Auto zero tracking
- AC adaptor(12V DC 850mA)
- Backlight display

OPTIONS

- Rechargeable battery pack
- Wall mount kit
- RS-232C interface



Wall mount kit

CAS

CAS BLDG., # 440-1, SUNGNAE-DONG,
GANGDONG-GU, SEOUL, KOREA

TEL_ 82 2 2225 3500

FAX_ 82 2 475 4668

<http://www.globalcas.com>

Specifications are subject to change for improvement without prior notice.

APPLICATION

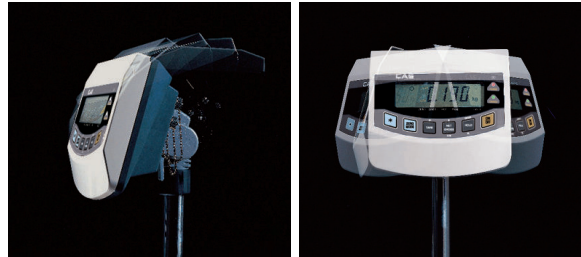


High capa. Platform

Low capa. Platform

Wall mount display

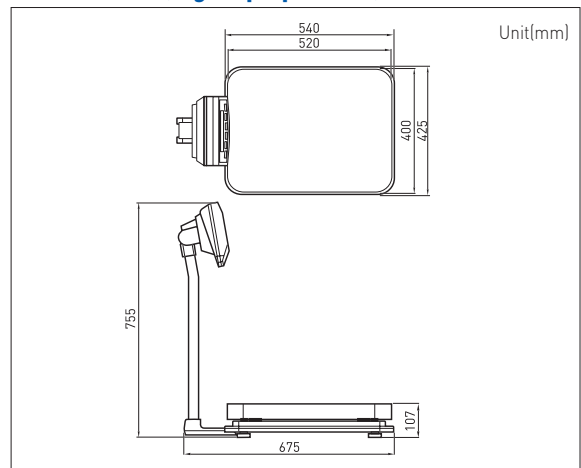
SWIVEL TILT HEAD DESIGN



Tilt up-down angle, 90° [Max.]

Turn left-right angle, 360° [Max.]

DIMENSIONS (High capa. platform)



Unit(mm)

C-31409002