



FEATURES

- Stainless steel construction
- OIML C3 approved (OIML R60)
- Ex s II T4 approved
- Protection class IP67

OPTIONS

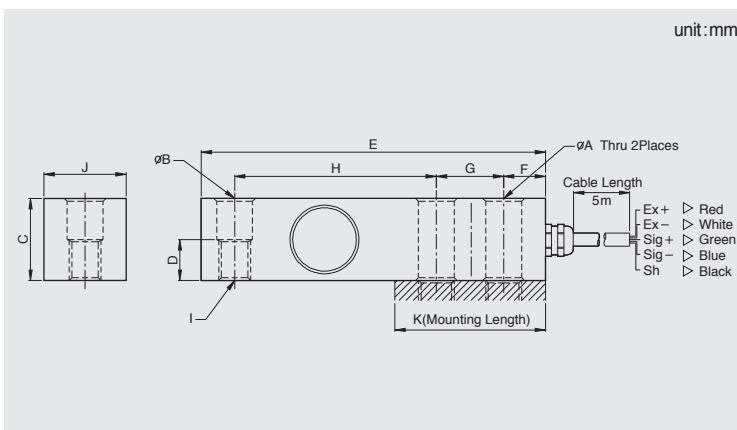
- OIML C3 approved



SPECIFICATIONS

Max. capacity	kgf	500, 1tf, 2tf, 3tf, 5tf	
Rated output	mV/V	2.0 ± 0.005	
Zero balance	mV/V	0 ± 0.02	
Accuracy class		D3	C3
Combined error	%	0.03	0.025
Repeatability	%	0.01	0.01
Creep for 30 min.	%	0.03	0.017
Temperature effect on			
Zero Value	%/10°C	0.028	0.014
Output value	%/10°C	0.014	0.011
Excitation			
Recommended	V	10	
Maximum	V	15	
Resistance			
Input	Ω	350 ± 3.5	
Output	Ω	350 ± 3.5	
Insulation	MΩ	> 2,000	
Compensated temperature range	°C	- 10 to +40	
Operating temperature range	°C	-30 to +80	

DIMENSIONS



Material

Stainless Steel

Mounting

Capacity	Hexagon head-Bolt	Tightening torque
500kgf - 2tf	M12 × 1.75(10.9)	100Nm
3tf - 5tf	M18 × 1.5(10.9)	350Nm

Cable

Braided shield 4-wire round cable with Urethane-jacket

Mounting Accessory

BSS-TW

Model	Capacity	A	B	C	D	E	F	G	H	I	J	K
BSS-500L	500kgf	13.5	13.5	31.7	15.8	130	15.8	25.4	76.2	M12 × 1.75	31.7	52
BSS-1	1tf											
BSS-2	2tf											
BSS-3	3tf	20.0	20.0	38.1	19.1	171.5	19.0	38.1	95.3	M18 × 1.5	38.1	76.2
BSS-5	5tf											



FEATURES

- Stainless steel construction
- NTEP III 5,000M pending
- Protection class IP67

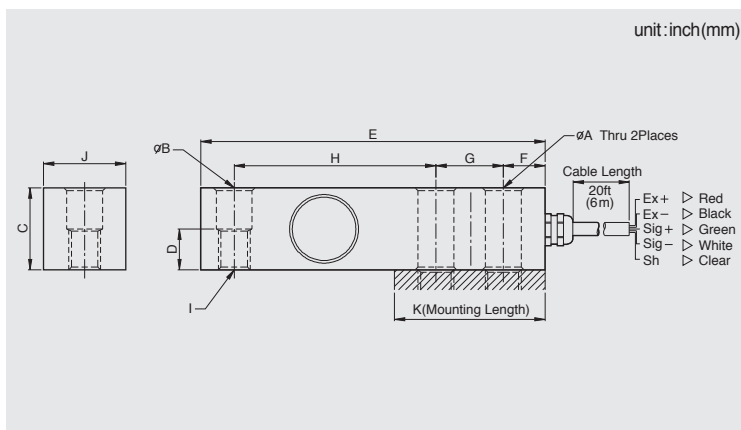
OPTIONS

- NTEP III 5,000M approved

SPECIFICATIONS

Max. capacity	lb	1k, 2.5k, 4k, 5k, 10k	
Rated output	mV/V	2.0 ± 0.005	
Zero balance	mV/V	0 ± 0.02	
Accuracy class		D3	A5
Combined error	%	0.03	0.025
Repeatability	%	0.01	0.01
Creep for 30min.	%	0.03	0.017
Temperature effect on			
Zero Value	%/10°C	0.028	0.014
Output value	%/10°C	0.014	0.011
Excitation			
Recommended	V	10	
Maximum	V	15	
Resistance			
Input	Ω	350 ± 3.5	
Output	Ω	350 ± 3.5	
Insulation	MΩ	> 2,000	
Compensated temperature range	°C	-10 to +40	
Operating temperature range	°C	-30 to +80	

DIMENSIONS



Material

Stainless Steel

Mounting

Capacity	Hexagon head-Bolt	Tightening torque
1 klb - 5klb	1/2 - 20UNF(10.9)	100Nm
5klb(L) - 10klb	3/4 - 16UNF(10.9)	350Nm

Cable

Braided shield 4-wire round cable with Urethane-jacket

Mounting Accessory

BSS-TW

Model	Capacity	A	B	C	D	E	F	G	H	I	J	K
BSS-1KLB	1 klb											
BSS-2.5KLB	2.5klb	0.53	0.53	1.25	0.62	5.12	0.62	1.0	3.0	1/2 - 20UNF - 2B	1.25	2.04
BSS-4KLB	4klb	(13.5)	(13.5)	(31.7)	(15.8)	(130)	(15.8)	(25.4)	(76.2)		(31.7)	(52)
BSS-5KLB	5klb											
BSS-5KLB(L)	5klb	0.79	0.79	1.5	0.75	6.75	0.75	1.5	3.75	3/4 - 16UNF - 2B	1.5	3.0
BSS-10KLB	10klb	(20.0)	(20.0)	(38.1)	(19.1)	(171.5)	(19.0)	(38.1)	(95.3)		(38.1)	(76.2)